

SOCKS BOARDING
STEAM BOARDING MACHINE FOR SOCKS
GHIBLI COMPACT



SOCKS BOARDING GHIBLI COMPACT

Direct loading of products on boarding forms by 1 or 2 operators allows the processing of a very wide range of styles and a very high productivity. The machine has a stripping device with clamps driven by a "brushless" motor and with a programmable stacking system that allows the simultaneous stripping of 2 socks. 24 boarding forms with patented profile and made up of special aluminum allow to process any type of fiber. The machine cycle provides the movement of 2 forms at the time with a longer processing time and a considerable quality improvement of products. The drying tunnel, perfectly insulated, is heated by means of a steam radiator with a very low energy consumption. A long drying time assure a high-quality boarding and a very high productivity up to 1.200 pairs/hour. Electric press with adjustable temperature just after the steam chamber, to reduce the moisture and flatten the socks. Steam consumption is measured over a period of time and its absolute values are subject to significant variations; we therefore recommend using a generator with a capacity of about 90 Kg/hr.

The steam supply system must be equipped with condensate separators installed upstream of the connection to the machine and we also suggest the use of a pressure reducing valve adjustable up to 4 bar to avoid dangerous peaks. The drying tunnel, perfectly insulated, is heated by means of a steam radiator with a very low energy consumption. A long drying time assure a high-quality boarding and a very high productivity up to 1.200 pairs/hour. Electric press with adjustable temperature just after the steam chamber, to reduce the moisture and flatten the socks.

SOCKS BOARDING

GHIBLI COMPACT

Specifications	Values
Dimensions	3.610 x 3.575 x 2815 (h)
Air pressure	6 bar
Air consumption	7,3 m ³ /hr
Installed power	8 kW
Absorbed power	4,5 kW
Min. steam line pressure	6 bar
Max steam chamber pressure	3 bar
Steam consumption range	25 - 55 kg/hr
Min. cycle time	3 sec./1 pair
Max. productivity	1.200 pair/hr 100 Dz/hr



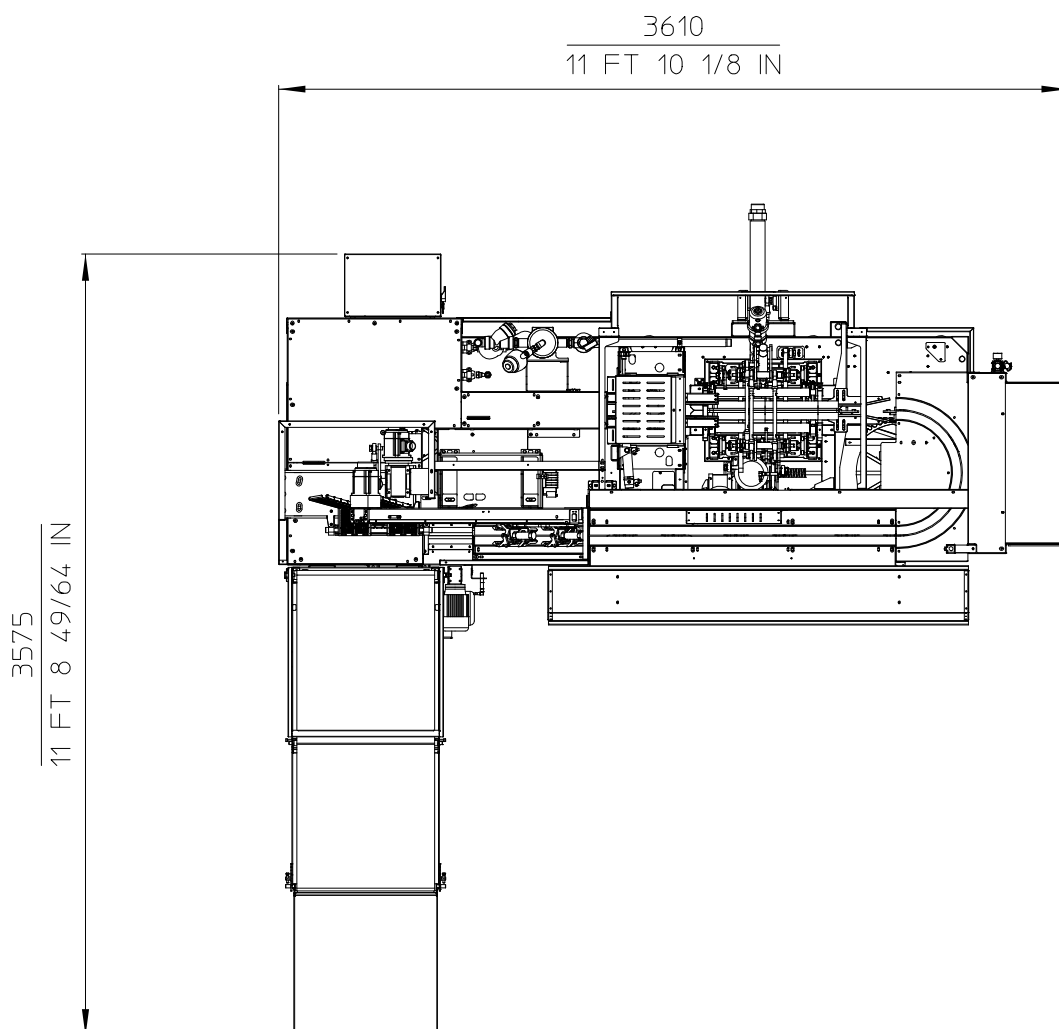
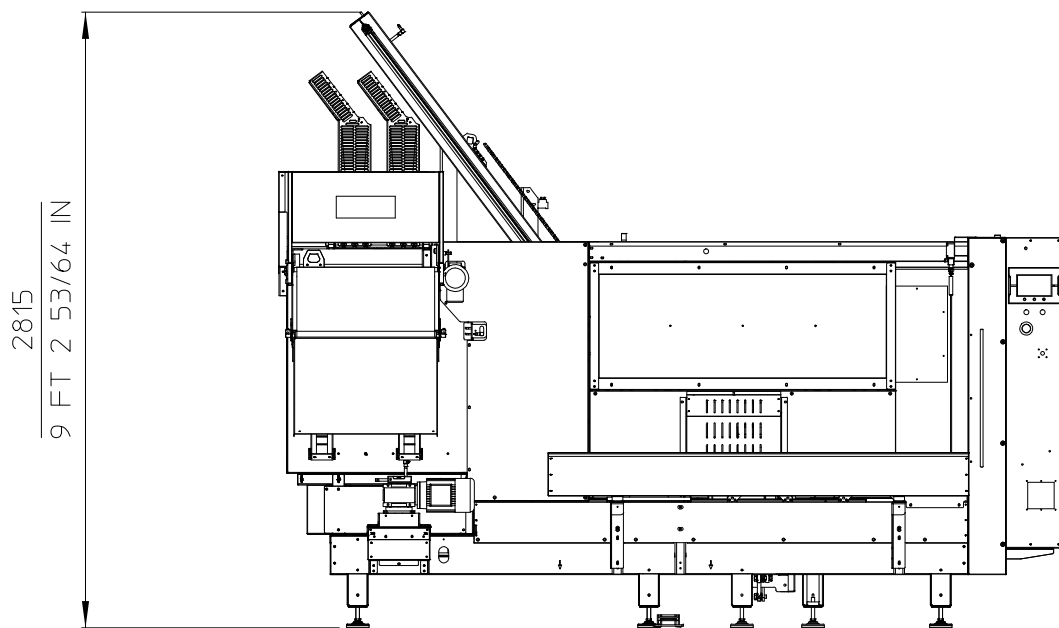
45° foot shape forms

DISCLAIMER:

Steam consumption is measured over a period of time and its absolute values are subject to significant variations; we therefore recommend using a generator with a capacity of about 90 Kg/hr. The steam supply system must be equipped with condensate separators installed upstream of the connection to the machine and we also suggest the use of a pressure reducing valve adjustable up to 4 bar to avoid dangerous peaks.

SOCKS BOARDING

GHIBLI COMPACT



TECNOPEA



TECNOPEA S.R.L.

Via Don Eridano Torri, 2

25027 Quinzano d'Oglio, Brescia - Italy

Tel.: +39 030 992 3780 - Fax: +39 030 9923996

info@tecnopea.com - www.tecnopea.com